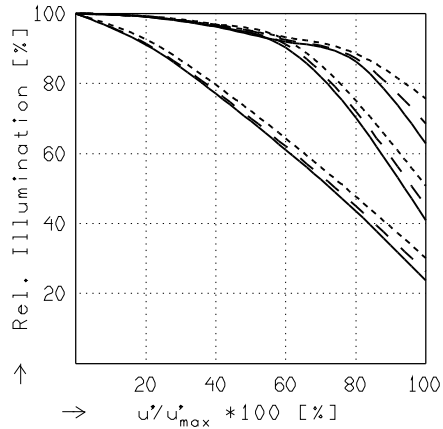
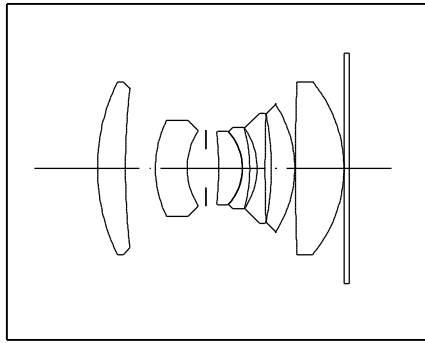


APO-XENOPLAN 2/24

$f' = 24.5 \text{ mm}$ $\beta_p = 1.937$
 $s_F = 0.9 \text{ mm}$ $s_{EP} = 13.5 \text{ mm}$
 $s_{F'} = 17.3 \text{ mm}$ $s_{AP} = -30.1 \text{ mm}$
 $HH' = -5.5 \text{ mm}$ $\Sigma d = 27.0 \text{ mm}$

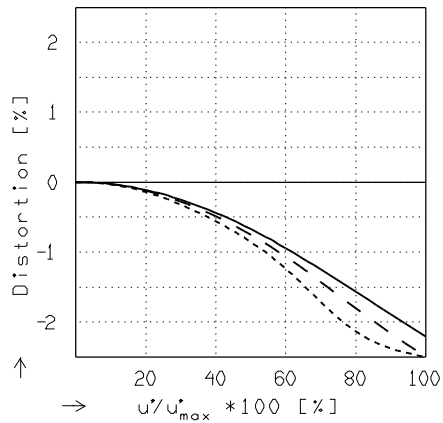


RELATIVE ILLUMINATION

The relative illumination is shown for the given focal distances or magnifications.

$f / 2.1$ $f / 2.8$ $f / 4.0$

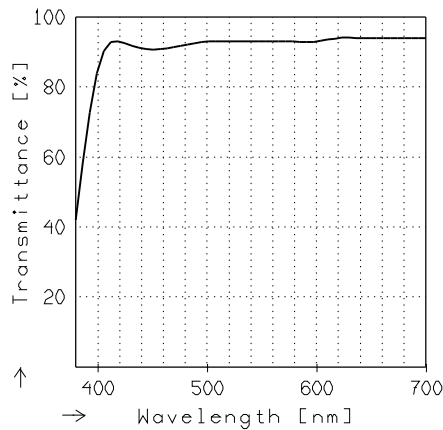
— $\beta' = -0.0200$ $u'_{max} = 11.7$ $00' = 1269.$
 - - $\beta' = -0.0500$ $u'_{max} = 11.7$ $00' = 535.$
 - · - $\beta' = -0.1000$ $u'_{max} = 11.6$ $00' = 291.$



DISTORTION

Distortion is shown for the given focal distances or magnifications. Positive values indicate pincushion distortion and negative values barrel distortion.

— $\beta' = -0.0200$ $u'_{max} = 11.6$ $00' = 1269.$
 - - $\beta' = -0.0500$ $u'_{max} = 11.6$ $00' = 535.$
 - · - $\beta' = -0.1000$ $u'_{max} = 11.6$ $00' = 291.$



TRANSMITTANCE

Relative spectral transmittance is shown with reference to wavelength.

Jos. Schneider Optische Werke GmbH
 Ringstrasse 132 55543 Bad Kreuznach Germany